

Introduction

SO8-FL (Flat Lead) is a thinner and thermally enhanced package, improving power dissipation capability by 47%, while maintaining the same footprint area (5 x 6 mm) as standard SOIC 8 ld packages. This package is available in both JEDEC and JEITA package outlines.

This package may also be know as:

- SOP-Adv
- PowerFLAT 5x6™
- TDSON
- HVSON
- JEDEC MO240 AA

Application

SO8-FL is suitable for medium-power applications, designed for low on-resistance and high-speed-switching MOSFETs:

- Battery protection circuits
- Notebook PCs
- Portable electronic devices
- DC-DC converters

Features

- Thin and thermally enhanced package with the same size as SOIC 8 ld
- Dual Cu Clip interconnect for better heat dissipation efficiency
- Al strap + wire option is also available
- Turnkey with test and packing services
- Green materials: Pb-free plating & halogen free mold compound

New Developments

- Dual exposed pad for better thermal performance
- Thin wafer dicing with narrow saw streets
- Larger/higher density leadframe strips
- Environmentally friendly Pb-free solder paste

Visit [Amkor Technology online](http://www.amkor.com) for locations and to view the most current product information.

www.amkor.com

SO8-FL

Process Highlights

- Bare copper leadframe with no plating
- Die attach: 55 μm thin die pick up capability
- Interconnect: Cu clips technology for better electrical and thermal performance. Also available on Al strap + wire option.
- Plating: 100% matte Sn
- Marking: Pen type laser

Standard Materials

- Leadframe: Bare copper
- Die attach: Solder paste*
- Interconnect (2 options):
 - Dual Cu clips
 - Multiple Cu wires
- Mold compound: Halogen free

*Apply to option dual Cu clips.

Reliability Qualification

Amkor devices are assembled with proven reliable semiconductor materials.

- All test include pre-condition of: $T_a = 85^\circ\text{C}/\text{Rh} = 85\%$, 72 hrs with IR reflow $T_a = 265^\circ\text{C}$, 3X
- High Temperature Storage, $T_a = 150^\circ\text{C}$, 1000 hrs
- Pressure Cooker, $T_a = 121^\circ\text{C}/\text{Rh} = 100\%/P = 2 \text{ atm}$, 96 hrs
- Temperature Cycle, $-65\sim 150^\circ\text{C}$, 300 cycles

Test Service

Amkor offers full turnkey business for all power discrete products. We have the capability to test various type of power devices including MOSFETs, bipolar transistors, IGBTs, diodes, regulator ICs/intelligent power devices, etc.

- Amkor power discrete test capability:
 - Static test (DC)
 - Dynamic test (AC, Switching/ T_{rr} , Capacitance/ R_g)
 - Destruction test (Inductive load/ V_{SUS} , I Latch, Surge, Isolation/ V_{IL})
 - Thermal Resistance (ΔV_{DS} , ΔmV , etc.)
- Program generation/conversion
- Failure analysis
- Available test/handling technology
- Integrated marking, vision inspection and tape & reel services

Shipping

- Tape and reel packing
 - 3000 pcs or 5000 pcs per reel
 - Tape width 12 mm
 - Reel $\Phi = 330 \text{ mm}$
- Barcode packing label
- Drop ship



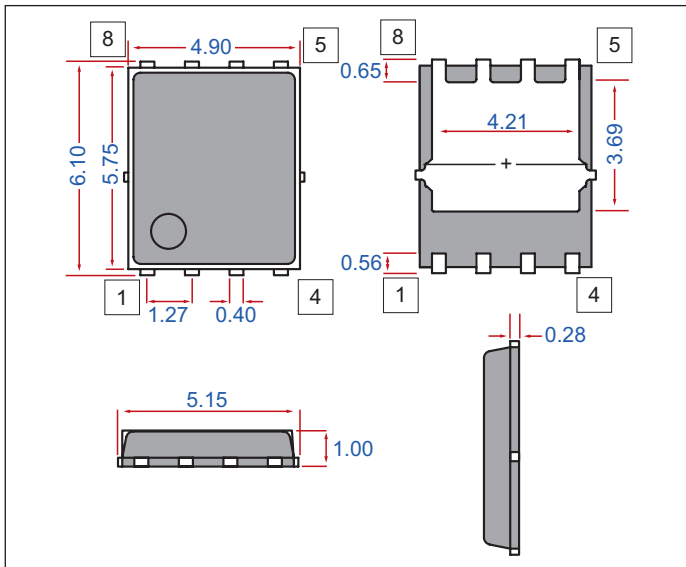
DS611C
Rev Date: 3/17

Questions? Contact us: sales@amkor.com

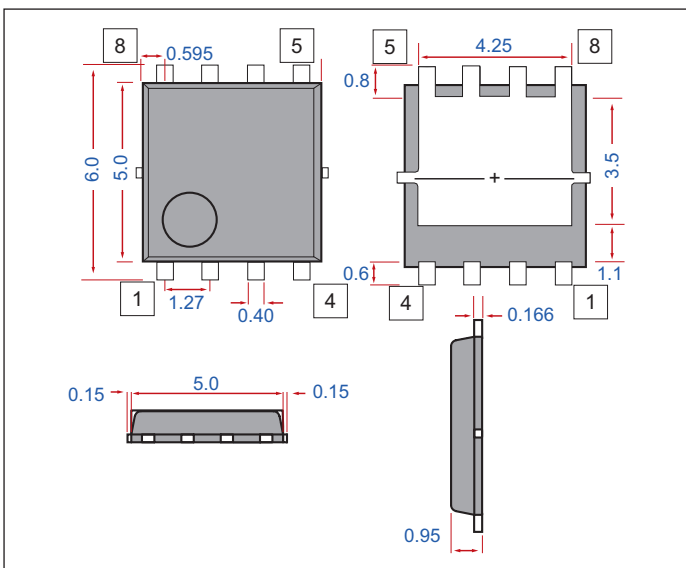
SO8-FL

Package Outline Drawing SO8-FL

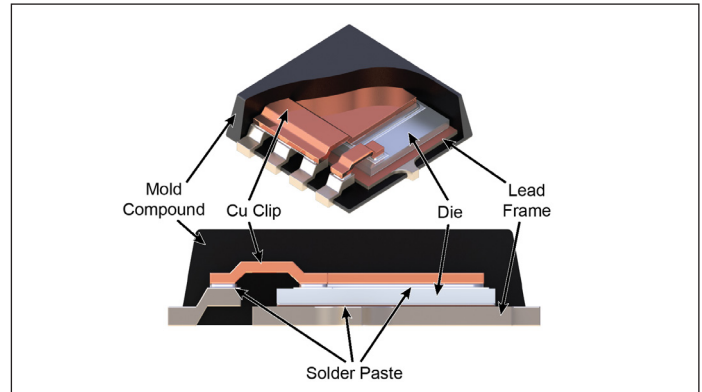
JEDEC



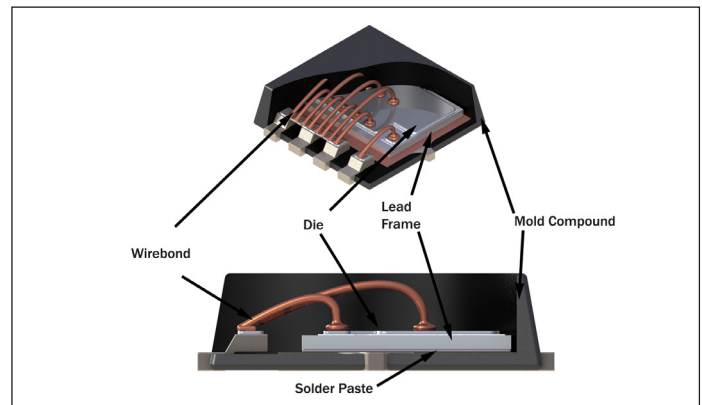
JEITA



Cross-section – Option 1: Dual Cu Clip



Cross-section – Option 2: Multiple Cu Wires



Visit Amkor Technology online for locations and to view the most current product information.



With respect to the information in this document, Amkor makes no guarantee or warranty of its accuracy or that the use of such information will not infringe upon the intellectual rights of third parties. Amkor shall not be responsible for any loss or damage of whatever nature resulting from the use of, or reliance upon it and no patent or other license is implied hereby. This document does not in any way extend or modify Amkor's warranty on any product beyond that set forth in its standard terms and conditions of sale. Amkor reserves the right to make changes in its product and specifications at any time and without notice. The Amkor name and logo are registered trademarks of Amkor Technology, Inc. All other trademarks mentioned are property of their respective companies. © 2017, Amkor Technology Incorporated. All Rights Reserved.

DS611C
Rev Date: 3/17